

BuzziBooth

Nowadays we work in open-plan offices, and we try to create a loft feeling at home as well. But this means places where we can make a quick phone call in peace or work by ourselves on our laptops have become rare. designer alain Gilles' solution is the BuzziBooth: a felty 'phone box' made of soundinsulating felt that dampens outside sounds. Now you can have a moment alone even in the noisiest of surroundings. Micro-architecture for maxi spaces!

Design by Alain Gilles



more pictures? [click here](#)



BuzziBooth | Content

COMPOSITION

- structure: poplar mutiplex: 18mm | 0.71"
- cover: outside: layer felt covered with fabric
inside: CME35H foam covered with fabric

OPTIONS

- diamond | rib
- Worktop: Standard: upholstered worktop (depth always 50 cm | 19.69") | connection with 6 anodised alu hooks
Optional: • worktop Antwerp Oak: with or without cabletray (max depth 70 cm | 27.56")
• white laminate without cable tray (max depth 70 cm | 27.56")
- unicolour | multicolour
- BuzziFabric | BuzziRough
- light: 2x LED lightstrip 55cm / 21,65 inch
2x 7W, 3000 Kelvin
2x 700 lumen

BE
230V
incl. 4m power cord with schuko plug
CE certification

US
120V
incl. 4m power cord with US plug
UL certification

UK
230V
incl. 4m power cord with UK plug
CE certification

BuzziBooth | Ratings

- Flammability: BuzziFelt: EN 13501-1 + A1: 2009
ASTM E84 Class B certified
BS476 Part 6 and 7 Class 0
- BuzziFabric: EN 1021.1/2006 | BS EN 1021.1/2006 (cigarette)
EN 1021.2/2006 | BS EN 1021.2/2006 (match)
CAL TB 117
- BuzziRough: EN 1021.1/2006 | BS EN 1021.1/2006 (cigarette)
DIN 4102 - B1
- Foam CME35H: California Test TB 117 – AI en DII
BS 5852 – Crib 5
NF P 92 504 – M4

BuzziBooth | Useful Links

 Price List

 Warranty

Install. instructions

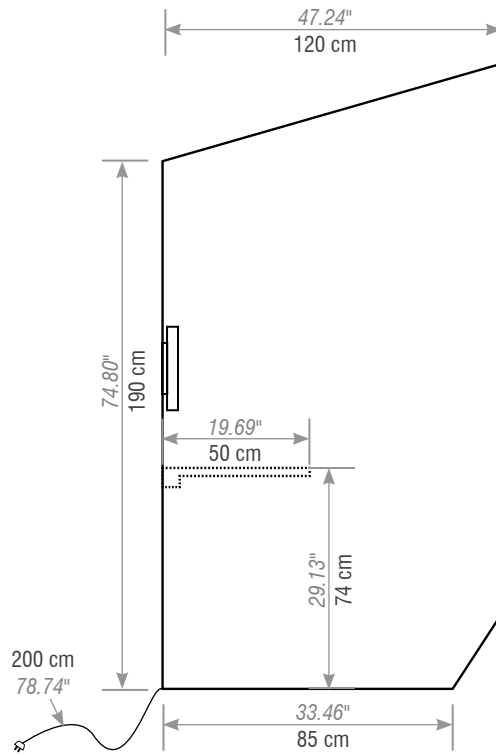
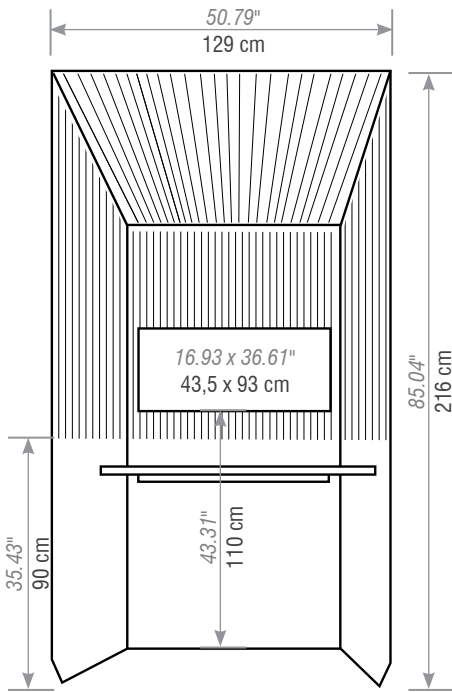
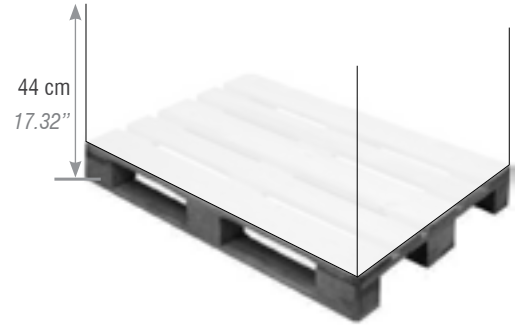
2D DWG

3D Sketchup



BuzziBooth | Dimensions & Weight

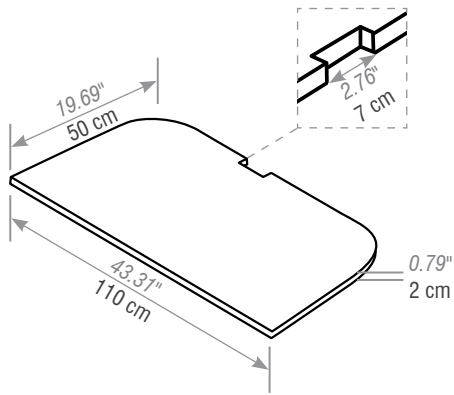
	Size:	Height	Weight:
Standard	129 x 120 cm 50.79 x 47.24"	216 cm 85.04"	88 kg 194.01 lbs
transport crate incl. BuzziBooth	228,5 x 142,5 cm 89.76 x 55.91"	44 cm 17.32"	120,5 kg 265.66 lbs
lightboard	43,5 x 93 cm 16.93 x 36.61"		4,8 kg 10.58 lbs



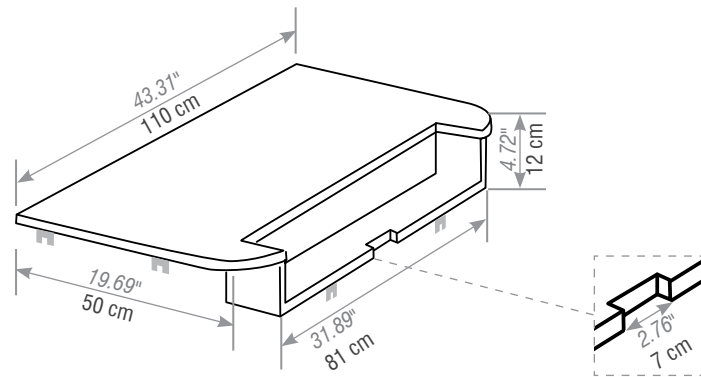
BuzziBooth | Dimensions & Weight

	Depth:	Height	Weight:
upholstered worktop with cabletray	50 cm 19.69"	12 cm 4.72"	5,4 kg 11.90 lbs
laminated worktop flat - without cabletray	50 cm 19.69"	2 cm 0.79"	7,6 kg 16.76 lbs
worktop in Antwerp Oak with cabletray	50 cm 19.69"	12 cm 4.72"	10,3 kg 22.71 lbs
worktop in Antwerp Oak without cabletray	50 cm 19.69"	2 cm 0.79"	8 kg 17.64 lbs

without cabletray:



with cabletray:



BuzziBooth Standing

Nowadays we work in open-plan offices, and we try to create a loft feeling at home as well. But this means places where we can make a quick phone call in peace or work by ourselves on our laptops have become rare. designer alain Gilles' solution is the BuzziBooth: a felty 'phone box' made of soundinsulating felt that dampens outside sounds. Now you can have a moment alone even in the noisiest of surroundings. Micro-architecture for maxi spaces!

Design by Alain Gilles



worktop standard



[more pictures? click here](#)



BuzziBooth Standing | Content

COMPOSITION

- structure: poplar mutiplex: 18mm | 0.71"
- cover: outside: layer felt covered with fabric
inside: CME35H foam covered with fabric

OPTIONS

- diamond | rib
- Worktop: Standard: upholstered worktop (depth always 50 cm | 19.69") | connection with 6 anodised alu hooks
Optional: • worktop Antwerp Oak: with or without cabletray (max depth 70 cm | 27.56")
• white laminate without cable tray (max depth 70 cm | 27.56")
- unicolour | multicolour
- BuzziFabric | BuzziRough
- light: 2x LED lightstrip 55cm / 21,65 inch
2x 7W, 3000 Kelvin
2x 700 lumen

BE
230V
incl. 4m power cord with schuko plug
CE certification

US
120V
incl. 4m power cord with US plug
UL certification

UK
230V
incl. 4m power cord with UK plug
CE certification

BuzziBooth Standing | Ratings

- Flammability: BuzziFelt: EN 13501-1 + A1: 2009
ASTM E84 Class B certified
BS476 Part 6 and 7 Class 0
- BuzziFabric: EN 1021.1/2006 | BS EN 1021.1/2006 (cigarette)
EN 1021.2/2006 | BS EN 1021.2/2006 (match)
CAL TB 117
- BuzziRough: EN 1021.1/2006 | BS EN 1021.1/2006 (cigarette)
DIN 4102 - B1
- Foam CME35H: California Test TB 117 – AI en DII
BS 5852 – Crib 5
NF P 92 504 – M4

BuzziBooth Standing | Useful Links

 Price List

 Warranty

Install. instructions

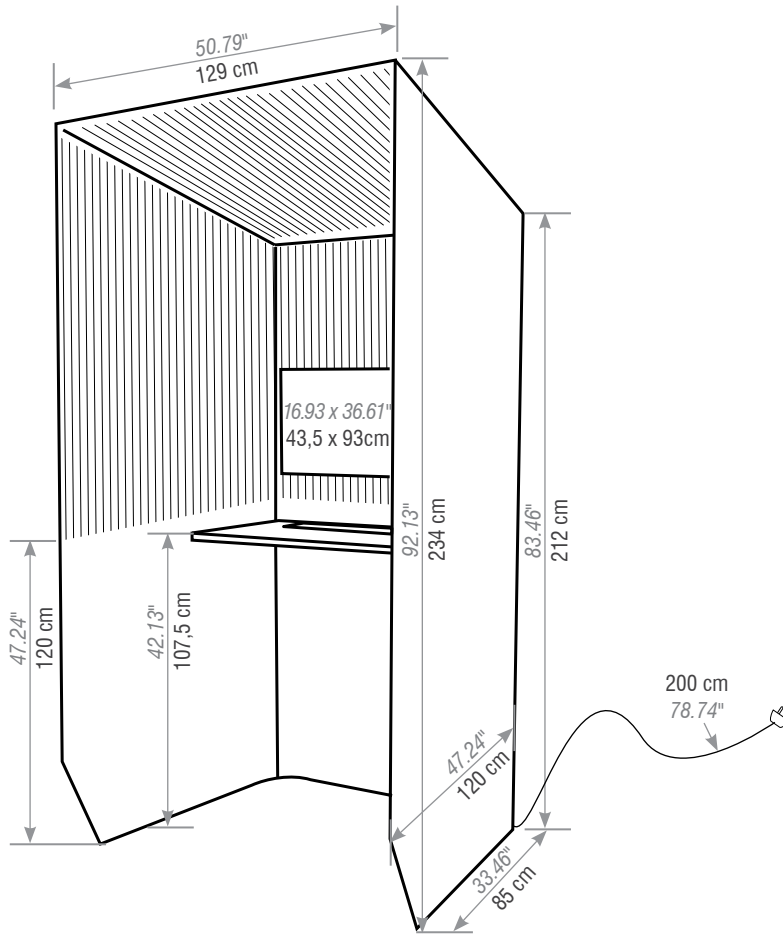
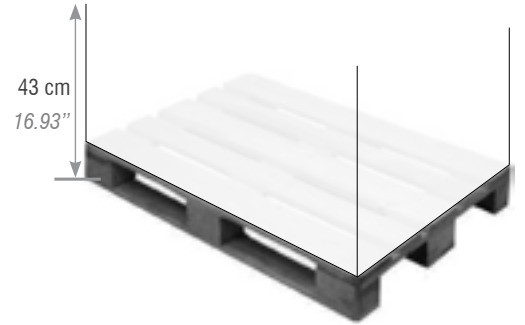
2D DWG

3D Sketchup



BuzziBooth Standing | Dimensions & Weight

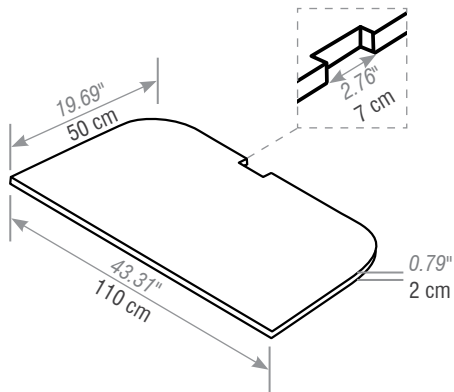
	Size:	Height	Weight:
Standard	129 x 120 cm 50.79 x 47.24"	234 cm 92.13"	96 kg 211.64 lbs
transport crate incl. BuzziBooth	204,5 x 251,5 cm 80.31 x 98.82"	43 cm 16.93"	120,5 kg 330.69 lbs
lightboard	43,5 x 93 cm 16.93 x 36.61"		4,8 kg 10.58 lbs



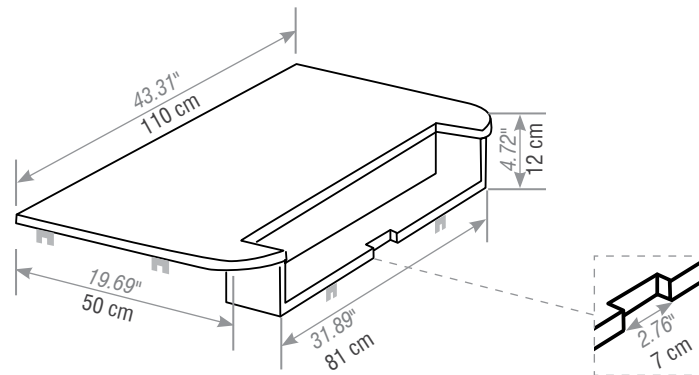
BuzziBooth Standing | Dimensions & Weight

	Depth:	Height	Weight:
upholstered worktop with cabletray	50 cm 19.69"	12 cm 4.72"	5,4 kg 11.90 lbs
laminated worktop flat - without cabletray	50 cm 19.69"	2 cm 0.79"	7,6 kg 16.76 lbs
worktop in Antwerp Oak with cabletray	50 cm 19.69"	12 cm 4.72"	10,3 kg 22.71 lbs
worktop in Antwerp Oak without cabletray	50 cm 19.69"	2 cm 0.79"	8 kg 17.64 lbs

without cabletray:



with cabletray:



BuzziBooth Side by Side

Nowadays we work in open-plan offices, and we try to create a loft feeling at home as well. But this means places where we can make a quick phone call in peace or work by ourselves on our laptops have become rare. designer alain Gilles' solution is the BuzziBooth: a felty 'phone box' made of soundinsulating felt that dampens outside sounds. Now you can have a moment alone even in the noisiest of surroundings. Micro-architecture for maxi spaces!

Design by Alain Gilles



BuzziBooth Side by Side | Content

COMPOSITION

- structure: poplar mutiplex: 18mm | 0.71"
- cover: outside: layer felt covered with fabric
inside: CME35H foam covered with fabric

OPTIONS

- diamond | rib
- Worktop: Standard: upholstered worktop (depth always 50 cm | 19.69") | connection with 6 anodised alu hooks
Optional: • worktop Antwerp Oak: with or without cabletray (max depth 70 cm | 27.56")
• white laminate without cable tray (max depth 70 cm | 27.56")
- unicolour | multicolour
- BuzziFabric | BuzziRough
- light: 4x LED lightstrip 55cm / 21,65 inch
4x 7W, 3000 Kelvin
4x 700 lumen

BE
230V
incl. 4m power cord with schuko plug
CE certification

US
120V
incl. 4m power cord with US plug
UL certification

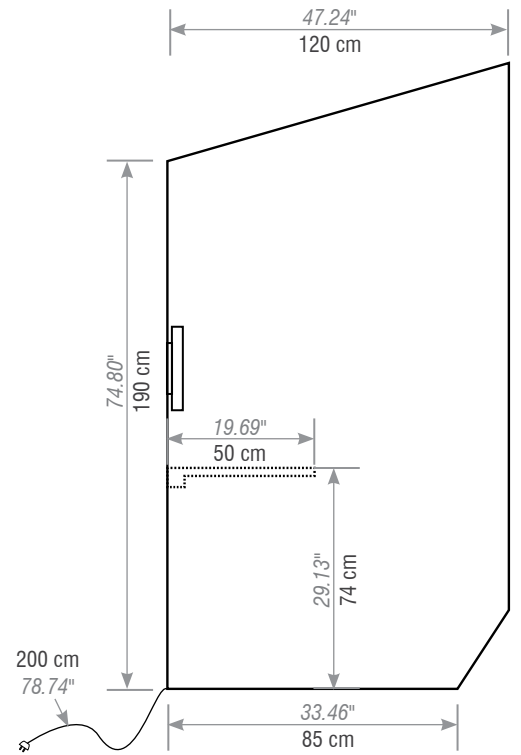
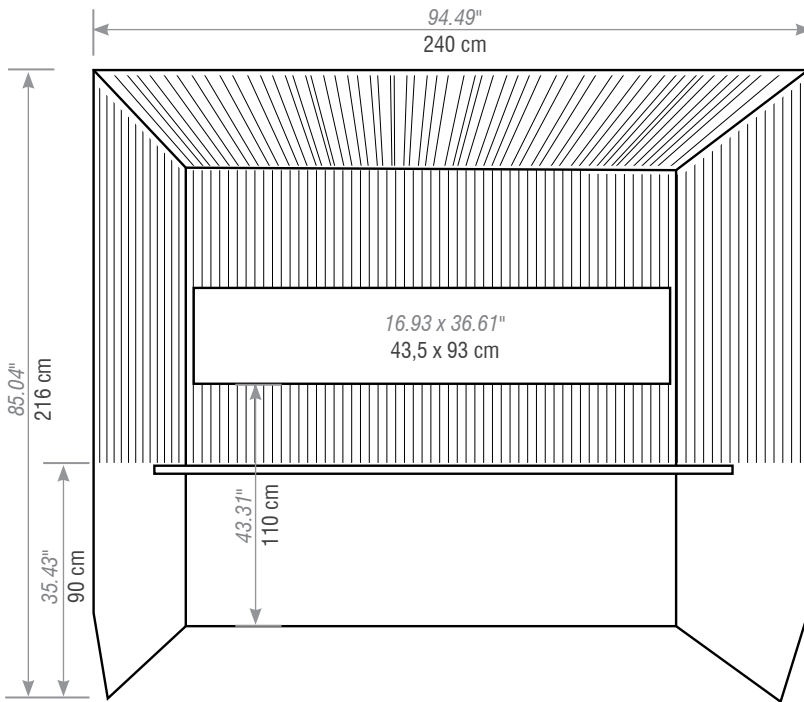
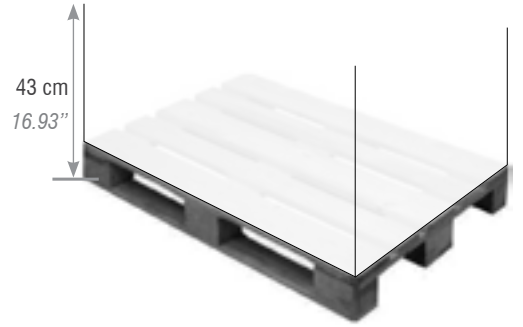
UK
230V
incl. 4m power cord with UK plug
CE certification

BuzziBooth Side by Side | Ratings

- | | | |
|-----------------|--------------|--|
| • Flammability: | BuzziFelt: | EN 13501-1 + A1: 2009
ASTM E84 Class B certified
BS476 Part 6 and 7 Class 0 |
| | BuzziFabric: | EN 1021.1/2006 BS EN 1021.1/2006 (cigarette)
EN 1021.2/2006 BS EN 1021.2/2006 (match)
CAL TB 117 |
| | BuzziRough: | EN 1021.1/2006 BS EN 1021.1/2006 (cigarette)
DIN 4102 - B1 |
| | Foam CME35H: | California Test TB 117 – AI en DII
BS 5852 – Crib 5
NF P 92 504 – M4 |

BuzziBooth Side by Side | Dimensions & Weight

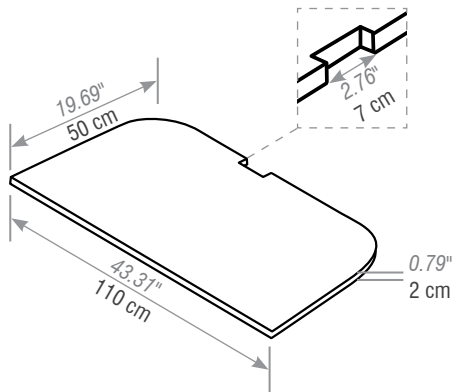
	Size:	Height	Weight:
Standard	240 x 120 cm <i>94.49 x 47.24"</i>	216 cm <i>85.04"</i>	131 kg <i>288.80 lbs</i>
transport crate incl. BuzziBooth	251,5 x 204,5 cm <i>99.02 x 80.51"</i>	43 cm <i>16.93"</i>	186 kg <i>410.06 lbs</i>
lightboard	43,5 x 93 cm <i>16.93 x 36.61"</i>		4,8 kg <i>10.58 lbs</i>



BuzziBooth Side by Side | Dimensions & Weight

	Depth:	Height	Weight:
upholstered worktop with cabletray	50 cm 19.69"	12 cm 4.72"	5,4 kg 11.90 lbs
laminated worktop flat - without cabletray	50 cm 19.69"	2 cm 0.79"	7,6 kg 16.76 lbs
worktop in Antwerp Oak with cabletray	50 cm 19.69"	12 cm 4.72"	10,3 kg 22.71 lbs
worktop in Antwerp Oak without cabletray	50 cm 19.69"	2 cm 0.79"	8 kg 17.64 lbs

without cabletray:



with cabletray:

