

# FAZ COFFEE TABLE 110x70x32

By Ramon Esteve



Ramón Esteve, architect of harmony, serenity, timelessness and universality has created mineral and emphatic shapes that make FAZ a design that contextualizes with homes and installations. An ambience, encircling as a result of the blissful combination of the material and lighting, so that the sole sensation would be its fusion. Their VONDOM spirit is experienced exclusively in the quality of the material that permits an exterior using even in the most exacting environments. The modularity of FAZ permits the consumers to adapt the furniture and flowerpots to their style and needs without losing the harmony of this furniture set. It's upholstery is available in excellent quality nautical canvas or polyester fabric. The result is a product that transmits essence, that contains the complexity and the density of a work finalized to the extreme degree, the purpose of which is to create desirable places to live. ca vivir.

View online: <https://www.vondom.com/products/54007>

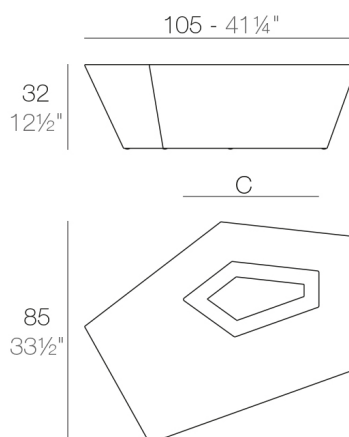
## Features

### Description

Made of polyethylene resin by rotational moulding. 100% Recyclable. Item suitable for indoor and outdoor use. Available in different finishes.

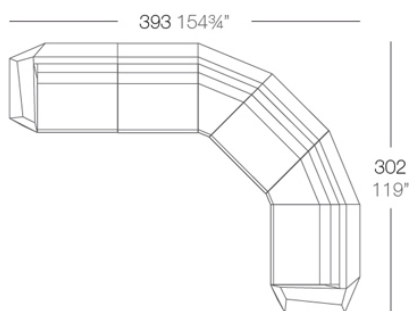
### Weight

10.5 Kg

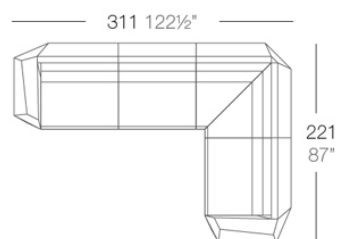


FAZ Mesa Baja C = 51 x 19 cm  
FAZ Low Table C = 20" x 7 1/2"

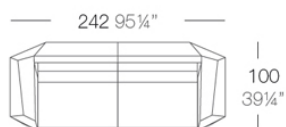
## Combinations



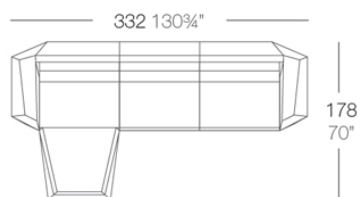
- 3 x 54004 Módulo Central Sectional Sofa Armless
- 1 x 54002 Módulo Izquierdo Sectional Sofa Left
- 1 x 54003 Módulo Derecho Sectional Sofa Right
- 1 x 54006 Módulo Esquina 90° Sectional Sofa Corner 90°
- 1 x 54010 Módulo Esquina 45° Sectional Sofa Corner 45°



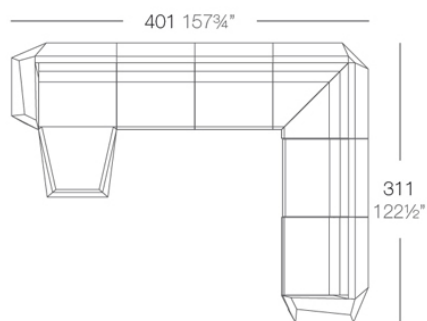
- 1 x 54004 Módulo Central Sectional Sofa Armless
- 1 x 54002 Módulo Izquierdo Sectional Sofa Left
- 1 x 54003 Módulo Derecho Sectional Sofa Right
- 1 x 54006 Módulo Esquina 90° Sectional Sofa Corner 90°



- 1 x 54002 Módulo Izquierdo Sectional Sofa Left
- 1 x 54003 Módulo Derecho Sectional Sofa Right



- 1 x 54004 Módulo Central Sectional Sofa Armless
- 1 x 54002 Módulo Izquierdo Sectional Sofa Left
- 1 x 54003 Módulo Derecho Sectional Sofa Right
- 1 x 54006 Módulo Chaiselongue Ottoman



3 x 54004 Módulo Central Sectional Sofa Armless  
 1 x 54002 Módulo Izquierdo Sectional Sofa Left  
 1 x 54003 Módulo Derecho Sectional Sofa Right  
 1 x 54006 Módulo Esquina 90° Sectional Sofa Corner 90°  
 1 x 54006 Módulo Chaiselongue Ottoman



3 x 54004 Módulo Central Sectional Sofa Armless  
 1 x 54002 Módulo Izquierdo Sectional Sofa Left  
 1 x 54003 Módulo Derecho Sectional Sofa Right

## Finishes

### BASIC

Ref. 54007

Matt Polyethylene

### LACQUERED

Ref. 54007F

Lacquered Polyethylene

### LIGHT

Ref. 54007W

White internally lit unit with LED technology. Available only in matte ice white finish.

### RGBW LED

Ref. 54007L

Unit with internal lighting with RGBW LED technology and remote control unit for switching colors. Available only in matte ice white finish. Remote control included.

### RGBW LED DMX

Ref. 54007D

Unit with internal lighting with RGBW LED technology and remote control unit for switching colors. Also controlLED by DMX-1024 (wireless), enabling communication between one or more products simultaneously via the DMX transmitter (not included).

### RGBW LED BATTERY

Ref. 54007Y

Unit with internal lighting with battery-powered RGBW LED technology. Includes charger and remote control for switching colors and charger. Available only in matte ice white finish.

### RGBW LED DMX BATTERY

Ref. 54007DY

Unit with internal lighting with RGBW LED technology and remote control unit for switching colors. Also controlLED by DMX-1024 (wireless), enabling communication between one or more products simultaneously via the DMX transmitter (not included).

COLOR	BASIC	LACQUERED / LACADO	LUZ	LED RGB DMX BATERIA
ICE	<input type="checkbox"/>	<input type="checkbox"/>	<input type="checkbox"/>	<input type="checkbox"/>
WHITE	<input type="checkbox"/>	<input type="checkbox"/>	<input type="checkbox"/>	<input type="checkbox"/>
BLACK	<input type="checkbox"/>	<input type="checkbox"/>	<input type="checkbox"/>	<input type="checkbox"/>
BRONZE	<input type="checkbox"/>	<input type="checkbox"/>	<input type="checkbox"/>	<input type="checkbox"/>
STEEL	<input type="checkbox"/>	<input type="checkbox"/>	<input type="checkbox"/>	<input type="checkbox"/>
ANTHRACITE	<input type="checkbox"/>	<input type="checkbox"/>	<input type="checkbox"/>	<input type="checkbox"/>
RED	<input type="checkbox"/>	<input type="checkbox"/>	<input type="checkbox"/>	<input type="checkbox"/>
PISTACHIO	<input type="checkbox"/>	<input type="checkbox"/>	<input type="checkbox"/>	<input type="checkbox"/>

ORANGE			<input type="checkbox"/>	<input type="checkbox"/>
KHAKI			<input type="checkbox"/>	<input type="checkbox"/>
NAVY			<input type="checkbox"/>	<input type="checkbox"/>
TAUPE			<input type="checkbox"/>	<input type="checkbox"/>
PLUM			<input type="checkbox"/>	<input type="checkbox"/>
ECRU			<input type="checkbox"/>	<input type="checkbox"/>
BEIGE			<input type="checkbox"/>	<input type="checkbox"/>
CHAMPANY	<input type="checkbox"/>		<input type="checkbox"/>	<input type="checkbox"/>

